



**ES-1417WGA/WCA**  
True 14x17 Wireless Flat Panel Detector



ES-1417WGA/WCA  
ENVIRONMENTS

Imaging Centers

Orthopedics

Mobile

Veterinary

# ES-1417WGA/WCA

## True 14x17 Wireless Flat Panel Detector

For the convenient use of this unique wireless solution, the size, thickness and handle of this model are ergonomically designed. In addition, the detector has been manufactured to allow the battery to be continuously used while recharging it in urgent situations in which it is almost fully discharged.

### Wireless Technology

Our detectors realize a new level of freedom and immediacy for diagnosis in the X-ray room and beyond. Thin, lightweight and robust, wireless technology offers true portability and flexibility. It is the ideal portable solution for a faster, more streamlined approach to direct, high-quality digital radiography.

#### Wireless Interface

- Wireless: Wi-Fi (802.11a/g/n)
- Wired: Gigabit Ethernet

#### Versatility

- Perfect fit to bucky tray
- Auto-trigger signal sensing technology

Weight Capacity: up to 150 kg  
(Standing Pressure)



Specification	ES-1417WGA	ES-1417WCA
Detection Area:	14 x 17 in	14 x 17 in
Dimensions (W x L x H):	460 x 417 x 15.9 mm	460 x 417 x 15.9 mm
Active Area:	423 x 358 mm	423 x 358 mm
Sensor Type:	Amorphous Silicon with TFT	Amorphous Silicon with TFT
Scintillator:	Gadolinium Oxysulfide (Gadox)	Cesium-Iodide (Cesium)
Weight:	< 3.2 kg (7.05 lbs)	< 3.4 kg (7.49 lbs)
Active Pixel Number:	3268 x 2756 pixels	3268 x 2756 pixels
Pixel Pitch:	127 µm	127 µm
Limiting Resolution:	Max. 3,9 lp/mm	Max. 3,9 lp/mm
Energy Range:	40 - 150 kV	40 - 150 kV
A/D Conversion:	14 bits	14 bits
Data Acquisition Time:	< 2,0 sec(wired) < 5,0 sec(wireless)	< 2,0 sec(wired) < 5,0 sec(wireless)



#### Battery

- Rechargeable while in use (2 ways of charging)
- Easily replaced (interchangeable)
- Charging Time: <3hrs
- Operation Time: 960 shots / 4hrs

### DR Configurations

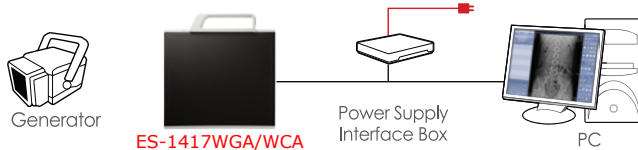
#### Configurations 1

##### Wireless

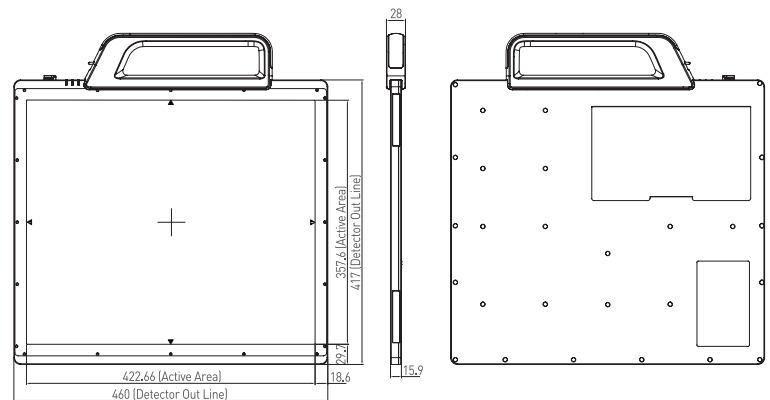


#### Configurations 2

##### Wired



### Dimensions



ESSE3 srl, Via Garibaldi 30  
14022 Castelnuovo D.B. (AT)  
Tel +39 011 99 27 706  
Fax +39 011 99 27 506  
e-mail [esse3@chierinet.it](mailto:esse3@chierinet.it)  
web: [www.esse3-medical.com](http://www.esse3-medical.com)

